



THROW-DOWN BINDER

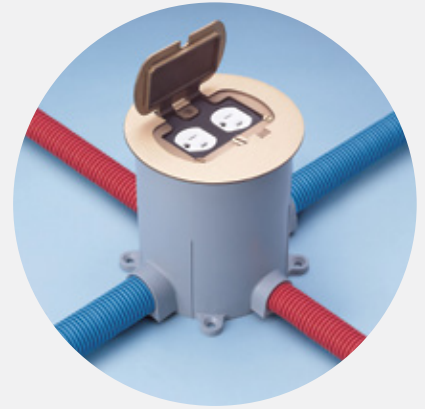
Floor box covers

Steel City[®] | **Carlton**[®]

01

Carlton® round floor box systems

Three-way versatility for power, data and communications



Carlton round floor boxes give you the same cost-saving advantages over metal boxes as our rectangular boxes. By combining power, data and communications in the same box, you can dramatically reduce installation time and cost compared to other non-metallic boxes. In addition, multi-use covers mean fewer SKUs to deal with and greater jobsite flexibility to increase your savings further. Take a closer look at all their advantages.

Features and benefits:

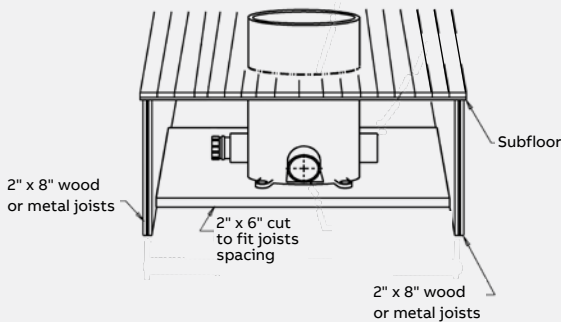
- Non-metallic PVC construction, watertight gasket and corrosion-resistant hardware ensure long life and reliable performance, even in harsh and/or corrosive environments
- Concrete-tight and suitable for any on-grade/below-grade application; concrete or wood floor construction approved
- PVC-molded ports and reducer plugs included
- Accepts ½", ¾" and 1" conduit, tubing or raceway
- UL/CSA scrubwater tested, approved for all types of finish flooring

ROUND FLOOR BOX

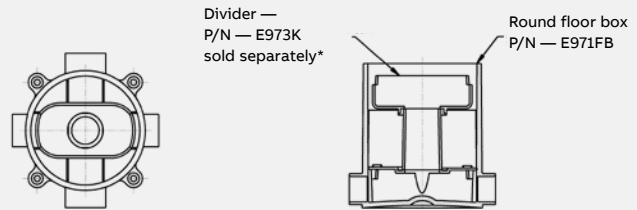
Carlton round floor boxes enable various thicknesses of concrete pours. Trim out is easy — just use a handsaw to cut off box at desired height to accommodate carpet, tile or other flooring. Carlton leveling ring guarantees a level top every time, even if the box is tipped slightly during the pouring process.



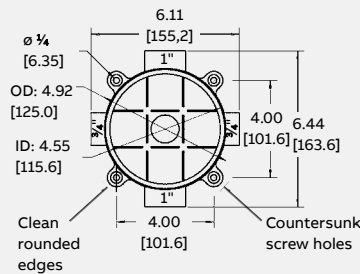
Cat. no.	Internal volume (cu. in.)	Min. concrete depth (in.)	Hubs (in.)	Reducer plugs (in.)
E971FB	90.0 (15.5 per inch of depth)	3½	(2) 1 and (2) ¾	(2) 1 x ¾ and (2) ¾ x ½



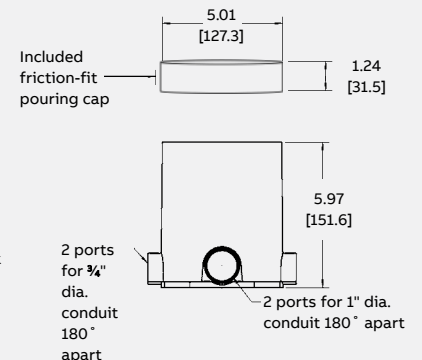
01 Wood or metal joist construction. The box can be installed on-grade (in the bottom concrete pour of a building), above-grade (concrete pours on floors 2 and up) or in subfloors. This image shows the box installed in a wood subfloor.



02 Multi-service divider kit. Easy to install and adjust. The E971FB box with a multi-service divider kit dropped in place.

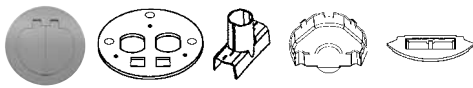


03 Dimensions



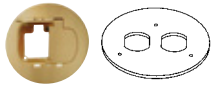
Brass and stainless steel covers

- Rugged construction with screws concealed under doors
- Coated with a light lacquer finish for extra protection
- Resistant to wear — suited for high-traffic areas
- Gasketed for watertight applications
- Available in four styles — single-door, two-door, NPS opening and two-door dual service
- For tile and carpet applications
- UL/CSA scrubwater tested



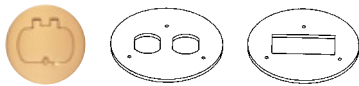
TWO-DOOR DUAL SERVICE (DIVIDER KIT INCLUDED)

Cat. no.	Cover	Devices	Cover diameter
E97BR2D	Brass	Duplex and two data ports	5.5"
E97SS2D	Stainless steel	Duplex and two data ports	5.5"



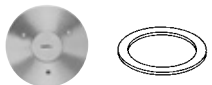
TWO-DOOR

Cat. no.	Cover	Devices	Cover diameter
E97BR2	Brass	Duplex	5.5"
E97SS2	Stainless steel	Duplex	5.5"



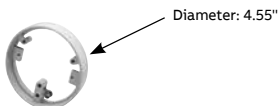
SINGLE-DOOR

Cat. no.	Cover	Devices	Cover diameter
E97BR	Brass	GFCI and duplex	5.5"
E97SS	Stainless steel	GFCI and duplex	5.5"



NPS OPENING

Cat. no.	Cover	Devices	Cover diameter
E97BRG	Brass	1 1/4" outlet and single receptacle	5.5"
E97SSG	Stainless steel	1 1/4" outlet and single receptacle	5.5"



COVER ADAPTER RING FOR METAL COVERS

Cat. no.	Devices
E97ABR2	One-piece metal cover adapter

Note: Carlon metal cover adapter ring (E97ABR2) is required with these covers (sold separately).

Non-metallic covers

- High impact-resistant thermoplastic
- Compatible with NEMA duplex and 1 1/4" NPS receptacles
- Drill points (3/8") for low-voltage cable pass-throughs
- 1 1/4" NPS plugs may be modified to accept smaller fittings (3/8", 1/2" and 3/4")
- For tile and carpet applications
- UL/CSA scrubwater tested
- Cover diameter: 5.7"



DUPLEX COVERS

Cat. no.	Color	Description	Cover diameter
E97DSI	Ivory	Duplex cover	5.7"
E97DSC	Caramel	Duplex cover	5.7"
E97DST	Taupe	Duplex cover	5.7"
E97DSS	Slate	Duplex cover	5.7"
E97DSB	Brown	Duplex cover	5.7"



1 1/4" NPS COVERS

Cat. no.	Color	Description	Cover diameter
E97SSRB	Brown	NPS cover	5.7"
E97SSRC	Caramel	NPS cover	5.7"
E97SSRS	Slate	NPS cover	5.7"

CLEAR COVER CARPET RING

Cat. no.	Color
E97CCR	Clear

Accessories



E973K

E972Y

E971C



ACCESSORIES

Cat. no.	Description
E973K	Multi-service divider kit
E972Y	Y fitting, 3/4"
E971C*	Reducer plug, 3/4" x 1/2"
E971D*	Reducer plug, 1" x 3/4"

* UL listed only (not CSA certified).

O2

Steel City® round non-metallic floor box

The 68-P non-metallic floor box provides flush service for power or communications and data.



The 68-P floor box provides flush service for power or communications and data. The non-metallic floor box is used in concrete floors and is suitable for carpet, tile or wood applications.

Applications:

Used in floors such as:

- Concrete
- Carpet
- Tile
- Wood

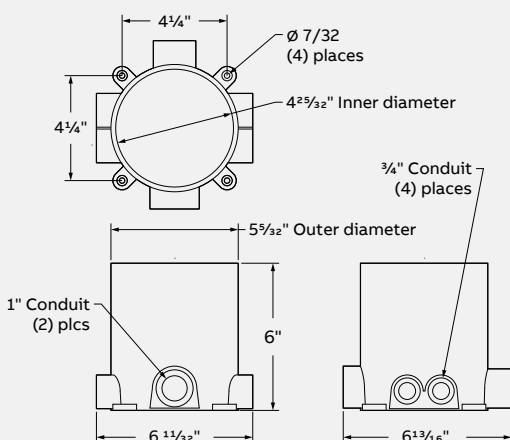
Features and benefits

- High-strength, rigid, non-corrosive PVC construction
- Easy installation with no leveling required — just cut the box level with the concrete after the pour
- Compatible with standard schedule PVC conduit
- Pre-packaged with concrete cap and six hub plugs
- Includes four (4) 3/4" to 1/2" reducing bushings
- Includes two (2) 1" to 3/4" reducing bushings



Cat. no.	After pour adj.	Maximum capacity (cu. in.)	Standard conduit tapping	Covers and carpet plates	Wiring device	Std. ctn.
68-P	None	100	(4) 3/4" (2) 1"	P60 P68 series	Single duplex or data/voice	8

Minimum pour 3 inches. Cubic in. capacity is 17 cubic inches per inch of box height. **Note:** Must use 68-PAR to attach cover plates to 68-P floor box.



ADJUSTING RING
for 68-P floor box

Features and benefits

- Non-metallic adjusting ring includes pigtail and clips



Cat. no.	Description	Std. ctn.
68-PAR	Non-metallic adjusting ring	8

Required to mount P60 and P68 Series covers to 68P floor box (not needed for dual-voltage kits).

Features and benefits

- Tile trim rings are available in brass or aluminum for flush installation of metallic plates in linoleum, tile, wood or carpeted floors. Must be used to mount P60 series plates. (Not required for P-68 covers, P60-CACP or P60-3/4-2-CACP.)

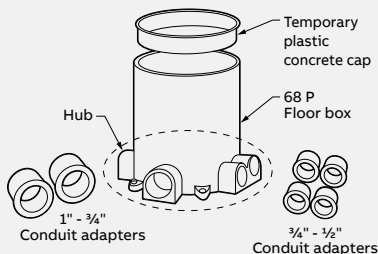


METALLIC TILE TRIMS
for 68-P floor box



Cat. no.	Description	Std. ctn.
68P-FL	Tile trim ring, brass	4
68P-FL-AL	Tile trim ring, aluminum	4

Required to attach P60 Series cover plates to 68-P floor box.



68-P series floor box covers and dual-voltage kits

Features and benefits

- MopTite® cover uses a “snap-lock” to close the lid — just push the lid down and it snaps in place
- MopTite cover’s factory-installed gasket exceeds all UL/CSA scrubwater exclusion requirements for carpet, wood and tile floors
- Voltage divider has easy-cut score lines for concrete depths of 3 to 6 inches
- Faceplate has removable data plates and can accommodate GFCI or standard duplex receptacles
- Kit comes with 4 standard keystone-size openings in data plates
- Other styles available include openings sized for Ortronics, Avaya, Panduit and Hubbell



MOPTITE® METALLIC COVER PLATES



Cat. no.	Description	Finish	Std. ctn.
P-60-1/2	Cover plate 1/2" NPS plug size	Brass	4
P-60-1/2-AL	Cover plate 1/2" NPS plug size	Aluminum	4
P-60-3/4	Cover plate 3/4" NPS plug size	Brass	4
P-60-3/4-AL	Cover plate 3/4" NPS plug size	Aluminum	4
P-60-1	Cover plate 1" NPS plug size	Brass	4
P-60-1-AL	Cover plate 1" NPS plug size	Aluminum	4
P-60-1-1/4	Cover plate 1 1/4" NPS plug size	Brass	4
P-60-1-1/4-AL	Cover plate 1 1/4" NPS plug size	Aluminum	4
P-60-2	Cover plate 2" diameter plug size	Brass	4
P-60-2-AL	Cover plate 2" diameter plug size	Aluminum	4
P-60-2-5/8	Cover plate 2 5/8" diameter plug size	Brass	4
P-60-2-5/8-AL	Cover plate 2 5/8" diameter plug size	Aluminum	4
P-60-1/2-2	Cover plate 1/2"-2" diameter plug size	Brass	4
P-60-1/2-2-AL	Cover plate 1/2"-2" diameter plug size	Aluminum	4
P-60-3/4-2	Cover plate 3/4"-2" diameter plug size	Brass	4
P-60-3/4-2-AL	Cover plate 3/4"-2" diameter plug size	Aluminum	4
P-60-DR	Cover with duplex lift lid	Brass	4
P-60-DS	Cover for duplex with individual lift lids	Brass	4
P-60-DS-AL	Cover for duplex with individual lift lids	Aluminum	4
P-60-DU	Cover plate with (2) 1 1/4" plugs for duplex	Brass	4
P-60-DU-AL	Cover with (2) 1 1/4" plugs for duplex	Aluminum	4
P-60-GFCI	Cover plate for GFCI devices	Brass	4
P-60-GFCI-AL	Cover plate for GFCI devices	Aluminum	4

*Requires 68-PAR and 68P-FL or 68P-FL-AL to attach cover to 68-P floor box. MopTite® covers exceed UL/CSA watertight requirements.



MOPTITE® METALLIC CARPET PLATES

Cat. no.	Description	Finish	Std. ctn.
P60-CACP	One-piece duplex cover and carpet flange	Brass	4
P60-CACP-AL	One-piece duplex cover and carpet flange	Aluminum	4
P60-3/4-2-CACP	One-piece cover and carpet flange with 3/4" and 2" plugs	Brass	4
P60-3/4-2-CACP-AL	One-piece cover and carpet flange with 3/4" and 2" plugs	Aluminum	4
P60-CACP-GFCI*	One-piece GFCI cover and carpet flange	Brass	4
P60-CACP-GFCI-AL*	One-piece GFCI cover and carpet flange	Aluminum	4
P60-CP*	Carpet flange	Brass	4
P60-CP-AL*	Carpet flange	Aluminum	4

*Requires 68-PAR and 68P-FL or 68P-FL-AL to attach cover to 68-P floor box. MopTite® covers exceed UL/CSA watertight requirements.

MOPTITE® NON-METALLIC CARPET PLATES



Cat. no.	Description	Color	Std. ctn.
P-68-SRC-GRY	Carpet plate and cover for single receptacle	Gray	4
P-68-SRC-BRN	Carpet plate and cover for single receptacle	Brown	4
P-68-SRC-BGE	Carpet plate and cover for single receptacle	Beige	4
P-68-SRC-BLK	Carpet plate and cover for single receptacle	Black	4
P-68-FSC-GRY	Carpet plate and cover, 1" NPS screw plug	Gray	4
P-68-FSC-BRN	Carpet plate and cover, 1" NPS screw plug	Brown	4
P-68-FSC-BGE	Carpet plate and cover, 1" NPS screw plug	Beige	4
P-68-FSC-BLK	Carpet plate and cover, 1" NPS screw plug	Black	4
P-68-DRC-GRY	Carpet plate and cover for duplex receptacle	Gray	4
P-68-DRC-BRN	Carpet plate and cover for duplex receptacle	Brown	4
P-68-DRC-BGE	Carpet plate and cover for duplex receptacle	Beige	4
P-68-DRC-BLK	Carpet plate and cover for duplex receptacle	Black	4

*Requires 68-PAR to attach cover to 68-P floor box. MopTite® covers exceed UL/CSA watertight requirements.

DUAL-VOLTAGE DIVIDER KITS



Cat. no.	Description	Std. ctn.
68P-DV-KIT-BRS	Dual-voltage divider kit with MopTite® brass cover	1
68P-DV-KIT-AL	Dual-voltage divider kit with MopTite® aluminum cover	1
68P-DV-KIT-BLK	Dual-voltage divider kit with MopTite® black cover	1
68P-DV-DP-ORT	Ortronics data plate to accommodate 2 jacks	10
68P-DV-DP	Standard data plate to accommodate 4 keystone jacks	10

*Keystone data plates come standard with the kit. Other style data plates are available from ABB and can be ordered separately.

O3

Steel City® recessed service box

68R series for use with 68-P floor box



Plug in power and communication cords, and then close the lid to hide unsightly plugs and receptacles below the floor.

Features and benefits

- Unique cover provides aesthetic recessed service with cost-effective box options for concrete, wood sub-floor and raised-floor applications
- Lid can be rotated to expose a small opening for cords, enabling the lid to close flush with the floor while in use
- Cover accepts one duplex or GFCI receptacle – no special device plates required (receptacle purchased separately)

- Cover accepts up to two communications jacks — includes one 2-port keystone data plate and one blank data plate for custom cut-outs or power-only applications (communications jacks purchased separately)
- Non-metallic covers are available in black, gray, beige and brown
- Black covers are available with an optional brass or aluminum flange
- Two set screws lock the cover in place — no gluing required



O1 Use a Steel City® round PVC floor box, catalog number 68-P (purchased separately)



O2 Use an appropriate Steel City® 3" x 2" metal switch box with mounting ears (purchased separately)



O3 Concrete applications



O4 Wood sub-floor/raised floor applications



O5 Lid closes flush with the floor, even with cords plugged in



O6 Power and communications in wood sub-floor/raised floor applications

Low-profile flange and cover only $\frac{1}{32}$ " above finished floor, textured surface also conceals everyday wear.

Finished floor (hardwood, tile or carpet)

"While-in-use" feature: Power cords and data cables can exit through the cover opening while the cover is closed. When "not in use," open cover, unplug cords and cables, rotate covers and attached ring in a counter-clockwise direction and close cover to seal out any potential for water entry.

Two anchor screws (included) secure floor box to 68-P non-metallic floor box.

Data plate (included) accommodates two keystone-style data jacks (not included). One blank plate is included for when not using data jacks.

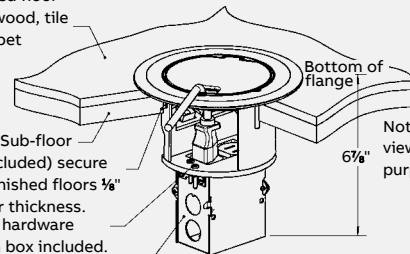
Attach PVC device plate to floor box bottom for installation.

PVC floor box access $4\frac{1}{8}$ " inside diameter at bottom x $3\frac{1}{8}$ " deep from inside of cover.

One duplex or GFCI receptacle (not included). 68-P non-metallic floor box (sold separately). Minimum concrete pour depth of 6".

Cut dividers to correct height for separating high and low voltage wiring.

Finished floor (hardwood, tile or carpet)



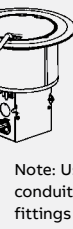
Note: Cutaway view for illustration purposes only.

Two anchor screws (included) secure floor box to floor for finished floors $\frac{1}{8}$ " minimum finished floor thickness. Mounting hardware for switch box included.

Use appropriate 3" x 2" UL listed (for U.S. installation) or CSA certified (for Canadian installation) metallic switch box with mounting base (sold separately).

Strain relief fitting for use with non-metallic sheeted cable (not included).

Non-metallic sheeted cable for residential applications (not included).



Note: Use appropriate conduit or cable and fittings (not included).

Note: A $4\frac{1}{8}$ " diameter hole is required in the hardwood or tile finished floor. When using a carpet floor, cut a $5\frac{1}{8}$ " diameter in the carpet.

O7 For concrete applications

O8 For wood sub-floor and raised floor applications

Recessed covers

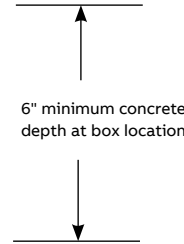
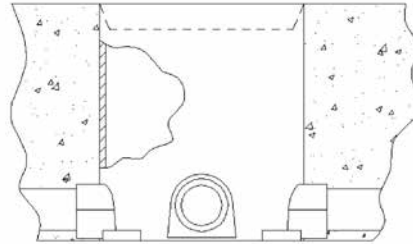
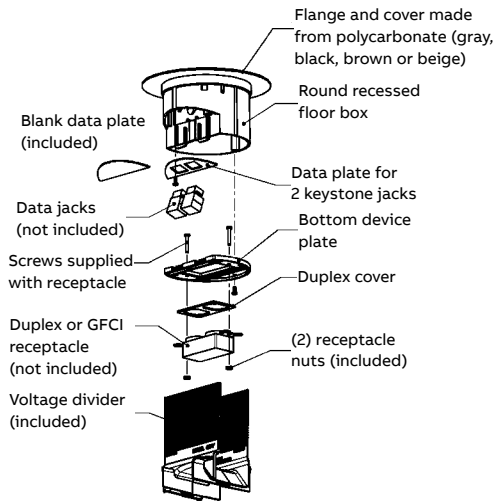
68R Series

Features and benefits

- Cover assembly
- Receptacle mounting plate
- Duplex receptacle insert
- 2-port keystone data plate
- Blank data plate
- Voltage divider



○9 Device not included.
Cover is 6³/₄ in. dia.

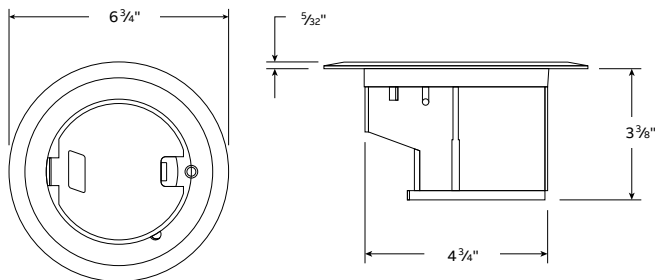


Important application note:

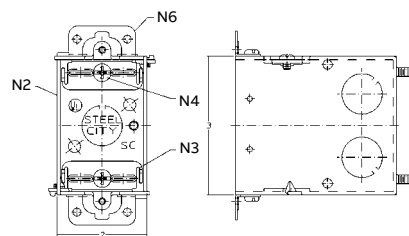
When using the 68R recessed cover with the 68-P floor box for concrete applications, the entire box depth (6") is required. Prior to concrete pour, level the top of the box with the screed line of the concrete.



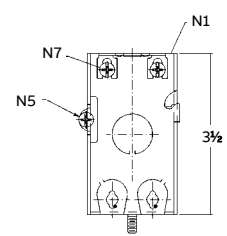
Cat. no.	Description	Std. ctn.
68R-CST-BLK	Non-metallic recessed floor box cover kit, black	4
68R-CST-GRY	Non-metallic recessed floor box cover kit, gray	4
68R-CST-BGE	Non-metallic recessed floor box cover kit, beige	4
68R-CST-BRN	Non-metallic recessed floor box cover kit, brown	4
68R-CST-BRS	Non-metallic recessed floor box cover kit, black with brass flange	4
68R-CST-ALM	Non-metallic recessed floor box cover kit, black with aluminum flange	4
68-P	Round PVC floor box for concrete applications	8
CXWOW	3" x 2" metal switch box, 3 ¹ / ₂ " deep, for non-metallic sheathed cable, wood subfloors	25
CY 1/2	3" x 2" metal switch box, 3 ¹ / ₂ " deep, 1/2" KOs	25



10 68R-CST



11 CXWOW



12 CY 1/2

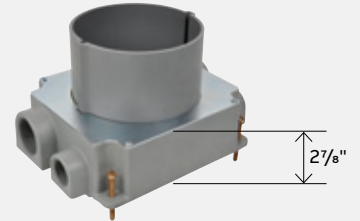
O4

Steel City® round floor boxes for power and communications

68-HP series



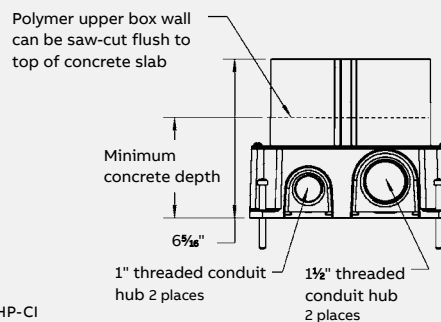
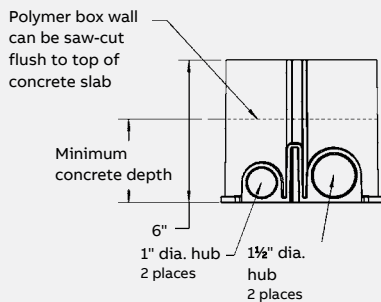
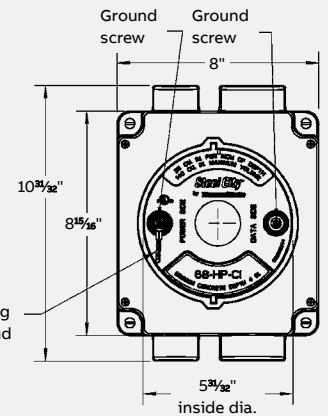
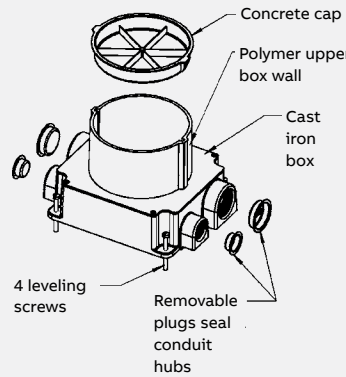
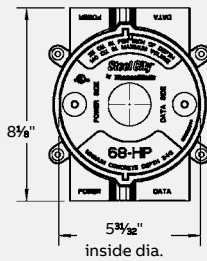
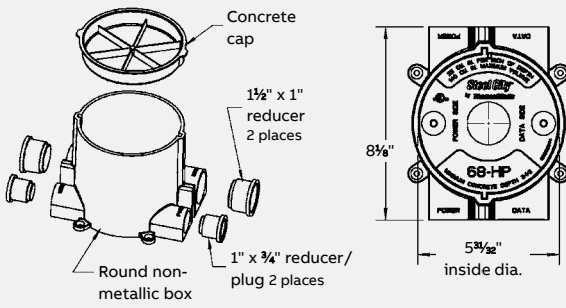
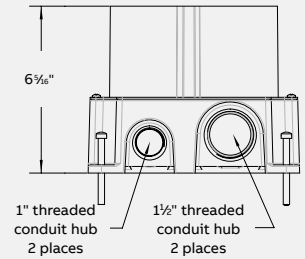
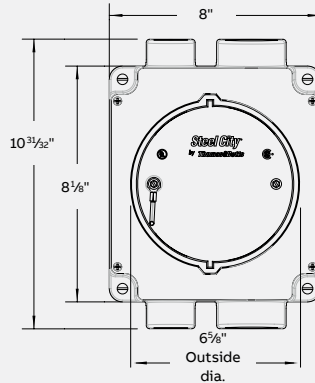
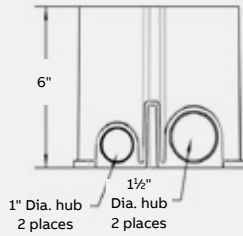
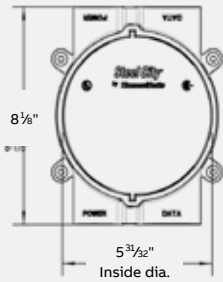
Cat. no.	Description	Minimum concrete depth		Std. ctn.
		Flush	Furniture feed	
68-HP	6" round non-metallic floor box	4"	3½"	4
68-HP-CI	Cast iron floor box with 6" round non-metallic collar	4½"	4"	1



O1 68-HP

O2 68-HP-CI

These include two 1½" to 1" reducing bushings. They also come with two 1" to ¾" reducing bushings



O3 68-HP

O4 68-HP-CI

Flush covers and mounting kit

68-HP series

Features and benefits

- Slide latch for tool-less access to devices
- Lid lies flat when box is in use
- Flush mounting kit required to mount devices and covers to 68-HP series floor box
- Includes (3) compartments for standard devices
- Voltage dividers allow any combination of power and communications devices
- Kit includes mounting frame, voltage divider, 3 device plates and 3 duplex inserts



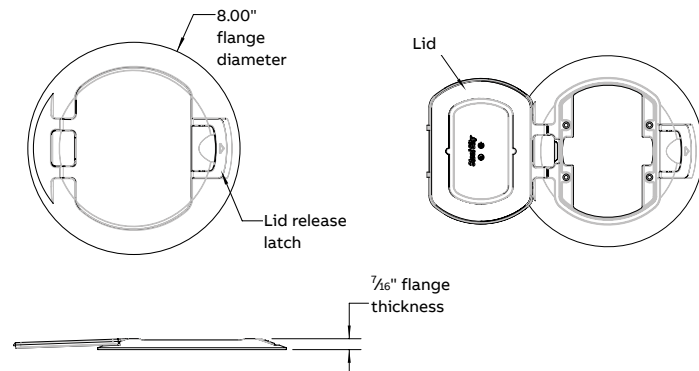
Cat. no.	Description	Std. ctn.
68-HP-FC-ALM	Flush cover – solid aluminum with brushed finish, 1,000 lb. load rating	4
68-HP-FC-BRS	Flush cover – solid brass with brushed finish, 1,500 lb. load rating	4
68-HP-FC-BLK-CK	Flush cover – solid aluminum with black Cerakote® coating, 1,000 lb. load rating	4
68-HP-FMK	Mounting kit for flush covers	4
68-HP-DPC-GFCI	Center device plate – GFCI/rectangular receptacle	10
68-HP-DPS-DEC	Side device plate – rectangular receptacle	10
68-HP-DPC-R	Center device plate – single round receptacle, 1½" opening	10
68-HP-DPS-2MAAP	Side device plate – 2 Extron® MAAP plates*	10
68-HP-BI	Rectangular insert — blank	10
68-HP-DI	Rectangular insert – duplex receptacle	10
OPODEC6-WH	Rectangular adapter for GFCI/rectangular device plate – 6-port data, keystone, white**	5

Cerakote is a trademark of NIC Industries, Inc.

* Extron® MAAP plates purchased from an authorized Extron® distributor.

Extron® is a registered trademark of RGB Systems, Incorporated.

** Additional rectangular adapters available for low voltage applications.

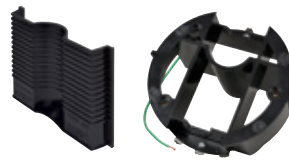


Furniture feed covers and mounting kit

68-HP series

Features and benefits

- Dual-voltage covers for feeding power and communications wiring to modular furniture
- Furniture feed mounting kit required to mount covers to 68-HP series floor box

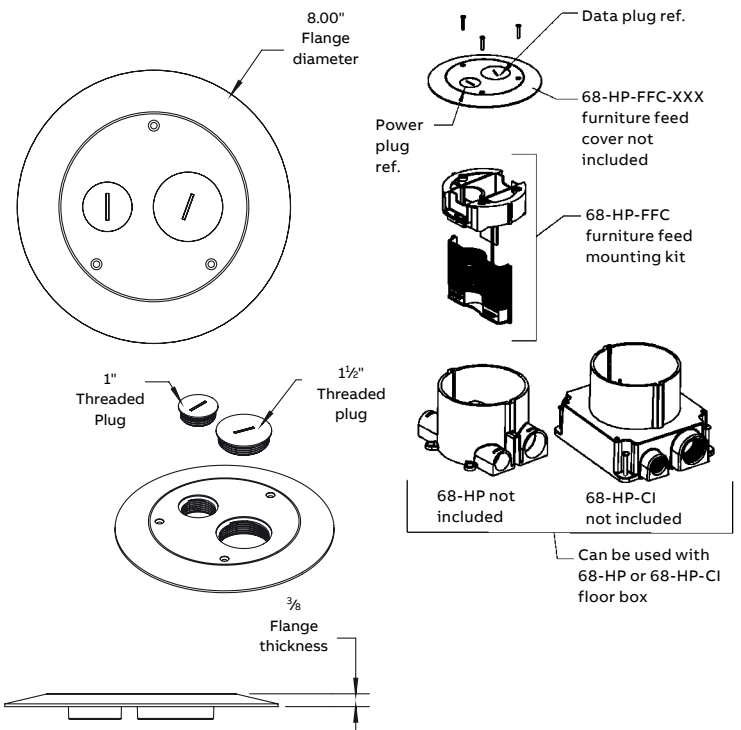


68-HP-FFMK

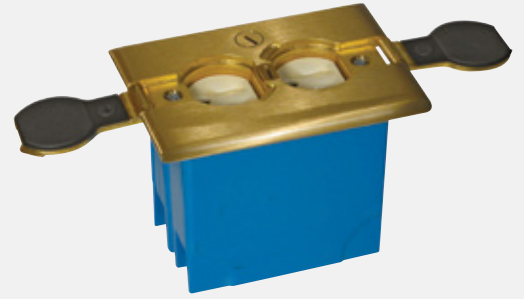


Cat. no.	Description	Std. ctn.
68-HP-FFC-ALM	Furniture feed cover – solid aluminum with brushed finish	4
68-HP-FFC-BRS	Furniture feed cover – solid brass with brushed finish	4
68-HP-FFC-BLK-CK	Furniture feed cover – solid aluminum with black Cerakote® coating	4
68-HP-FFMK	Mounting kit for furniture feed cover	4

Cerakote is a trademark of NIC Industries, Inc.



05



Carlon® Adjust-A-Box® adjustable residential floor boxes

Single- and two-gang

Carlon Adjust-A-Box floor boxes make installing floor outlets fast and easy by providing maximum installation flexibility. The box features an adjustment screw designed to adjust the depth from 0" to 1¾" by simply turning the screw clockwise or counterclockwise, providing a flush mount every time.

Covers are available in three types: non-metallic, brass and stainless steel. They feature two hinged doors to protect unused devices and to keep out dust and scrubwater. Because the doors are attached, they won't get lost or misplaced while the outlet is in use.

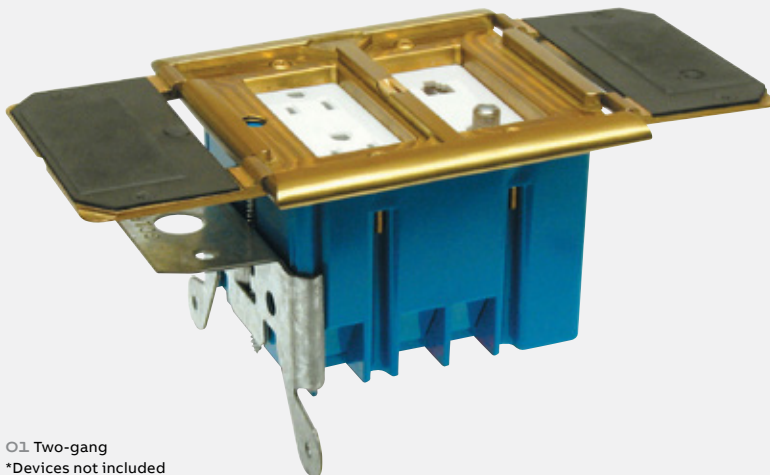
The Adjust-A-Box floor box is available in two sizes, single-gang and double-gang. The single-gang box has a 20 cubic inch capacity and includes a duplex receptacle. The double-gang box has a 34 cubic inch capacity, and comes with a divider for dual-voltage capabilities.

Carlon Adjust-A-Box residential floor boxes are ideal for residential and home office applications and provide a clean, aesthetically pleasing floor outlet anywhere you need it.

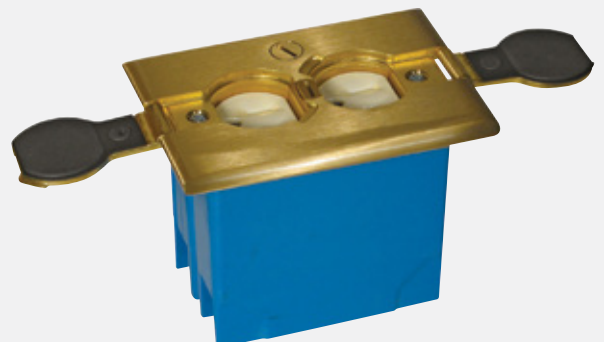
Features and benefits

- Listed floor boxes in accordance with NEC section 314.27(B)
- Adjustment screw adjusts depth from 0" to 1¾"
- Cover options include non-metallic, brass and stainless steel
- Covers have two non-removable hinged doors
- Solid brushed brass and stainless steel covers have a light lacquer finish for extra protection
- Non-metallic covers are available in white and ivory (single-gang box only)
- Two-gang version features dual-service capabilities (requires use of dual-service divider)
- Integral cable clamps
- Ideal for new work and retrofit applications
- UL listed
- UL/CSA scrubwater tested
- Single-gang only has a 2-hour fire rating

NEC and National Electrical Code are registered trademarks of the National Fire Protection Association, Inc.



01 Two-gang
*Devices not included



02 Single-gang

Carlton® Adjust-A-Box® residential floor box

Single- and two-gang

Kits include:

Single-gang with ivory/white cover

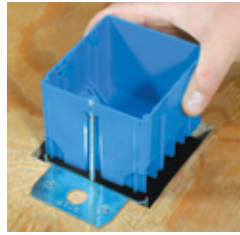
- Two (2) 6-32 x 1 flat head machine screws
- Four (4) #6 1¼ self-tapping flat head screws
- Two (2) #6 1¼ drywall screws
- One (1) cover plug
- One (1) new work bracket
- One (1) old work bracket
- One (1) 20 cubic in. UL listed floor box
- One (1) UL listed floor cover
- One (1) short shank receptacle (tamper-proof)
- One (1) tube Dow Corning #4 sealant
- Installation instructions

Single-gang with brass or stainless steel cover

- Two (2) 6-32 x 1 plated flat head machine screws
- Four (4) #6 1¼ self-tapping flat head screws
- Two (2) #6 1¼ drywall screws
- One (1) new work bracket
- One (1) old work bracket
- One (1) 20 cubic in. UL listed floor box
- One (1) UL listed floor cover
- One (1) short shank receptacle
- Green ground wire
- Installation instructions

Two-gang

- One (1) new work bracket
- One (1) old work bracket
- One (1) 34 cubic in. UL listed floor box
- One (1) dual-voltage divider
- One (1) UL listed floor cover
- Four (4) #6-32 x 1" flat head machine screws
- Four (4) #6 x 1¼" flat head self-tapping screws
- Two (2) #6 x 1¼" square drive trim head screws
- Green ground wire
- Installation instructions



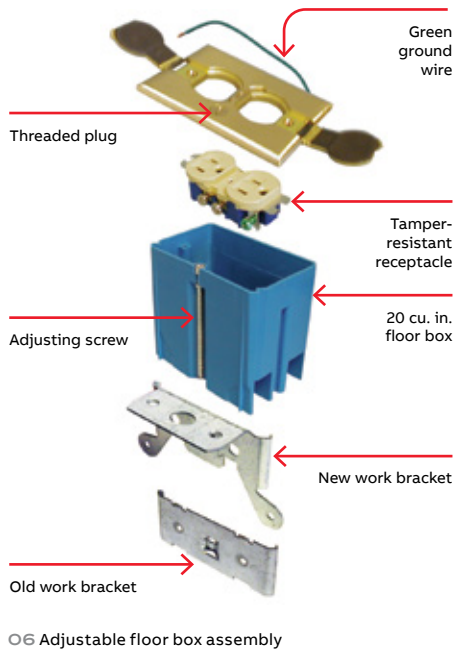
03 Install clip over subfloor



04 Screw in to adjust



05 Beautiful flush fit every time!



06 Adjustable floor box assembly



07 Two-gang
*Devices not included



08 Single-gang with non-metallic cover



E11461

Cat. no.	Size	Cover	Cubic in.	Std. ctn.	Std. wt. (lbs.)
Non-metallic					
B121BFRW	One-gang	White	20	8	7.1
B121BFBR	One-gang	Ivory	20	8	6.9
Brass					
B121BFBB	One-gang	Brass	20	8	15.0
B234BFBB	Two-gang	Brass	34	4	10.7
Stainless steel					
B121BFSS	One-gang	Stainless steel	20	8	13.7
B234BFSS	Two-gang	Stainless steel	34	4	9.8

06

Carlton® rectangular floor box

1-, 2- and 3-gang



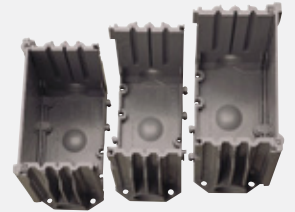
Carlton rectangular floor box systems — three-way power, data and communications plus easy double- or triple-gang, too.

Compared to metal boxes, Carlton rectangular floor boxes cost less and install faster to save you money on every job. Three-in-one power, data and communications capability cuts installation time and cost even more, while simple two- and three-gang modularity gives you the flexibility, installation ease and cost-savings other non-metallic boxes can't beat. The covers attach without the use of fasteners, providing a professional, clean installation as well as preserving the aesthetic life of the product. Take a closer look at all our rectangular floor box systems offer you.

Features and benefits

- Covers require no adjusting collar — two screws ensure a flush, secure installation
- Non-metallic PVC construction, watertight gasket and corrosion-resistant hardware ensure long life and reliable performance, even in harsh and/or corrosive environments
- One consistent box depth simplifies ordering time and reduces inventory
- Saves time and money on installations with simple saw cut to floor level
- Concrete tight and suitable for any on-grade/below-grade application; concrete or wood subfloor construction approved
- Convenient cubic inch capacity markings on inside enable easy inspection
- PVC-molded ports and reducer plugs included
- Accepts 1/2", 3/4" and 1" conduit, tubing or raceway
- Rectangular sides are drillable
- Suitable for tile and carpet applications
- Cover options include solid brass, stainless steel and non-metallic (brown, slate and caramel)
- UL/CSA scrubwater tested, approved for all types of finish flooring

Gangable rectangular floor box



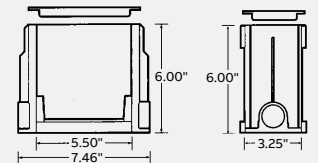
Features and benefits

With our rectangular boxes, one SKU is all you ever need. Simply remove appropriate sides and slide boxes together to create two- or three-gang boxes for unique on-the-job flexibility.

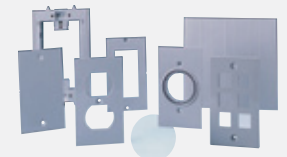
For wood floor applications, box must be supported from below.



Cat. no.	Material	Size	Internal volume (cu. in.)	Min. concrete depth	Hubs (In.)	Reducer plugs (In.)	Std. ctn.	Std. wt. (lbs.)
E976RFB	PVC	1-Gang	97.4 (16.8 per inch of depth)	3 1/2"	(2) 1"	(2) 1 x 3/4" (2) 3/4 x 1/2"	3	6.92



Activation kit



Activation kit provides components to accommodate all standard power, data and communications devices, plus a divider to separate power from data and communications — all in a single SKU. Device yokes can be adjusted to store excess cord in the box.

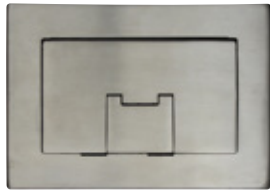
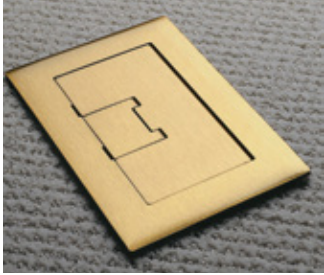
Requires one kit per gang.



Cat. no.	Material	Std. ctn.	Std. wt. (lbs.)
E976AK2	PVC	3	2.47

Carlton® rectangular floor box covers

1-, 2- and 3-gang — Metallic and non-metallic



E11461

METALLIC COVERS

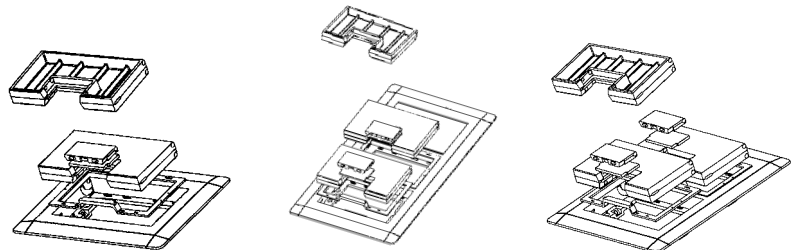
Cat. no.	Size	Color	Dimensions (in.)	Std. ctn.	Std. Wt. (lbs.)
E9761BR	One-gang	Brass	7.13 x 5	3	6.8
E9762BR	Two-gang	Brass	7.13 x 8.25	3	9.9
E9763BR	Three-gang	Brass	7.13 x 11.5	3	12.1
E9761SS	One-gang	Stainless steel	7.13 x 5	3	7.4
E9762SS	Two-gang	Stainless steel	7.13 x 8.25	3	11.6
E9763SS	Three-gang	Stainless steel	7.13 x 11.5	3	17.2



E11461

NON-METALLIC COVERS

Cat. no.	Size	Color	Carpet flange	Dimensions (w x L) (in.)	Std. ctn.	Std. wt. (lbs.)
E9761B	One-Gang	Brown	Included	7.13 x 5.00	3	1.7
E9762B	Two-Gang	Brown	Included	7.13 x 8.25	9	8.5
E9763B	Three-Gang	Brown	Included	7.13 x 11.50	6	7.5
E9761C	One-Gang	Caramel	Included	7.13 x 5.00	3	1.7
E9762C	Two-Gang	Caramel	Included	7.13 x 8.25	9	8.5
E9763C	Three-Gang	Caramel	Included	7.13 x 11.50	6	7.5
E9761S	One-Gang	Slate	Included	7.13 x 5.00	3	1.7
E9762S	Two-Gang	Slate	Included	7.13 x 8.25	9	8.5
E9763S	Three-Gang	Slate	Included	7.13 x 11.50	6	7.5



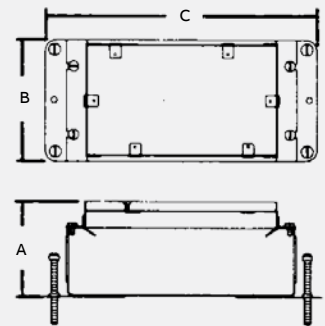
07



Steel City® two-compartment multi-service floor boxes for on-grade and above-grade applications

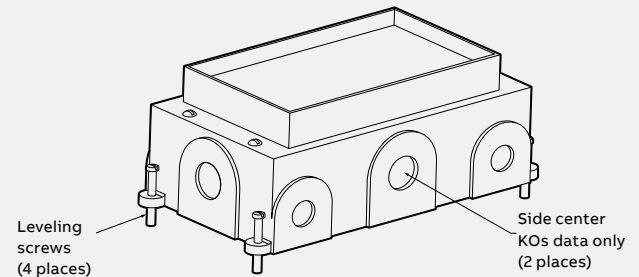
664 series

Multiple-service floor boxes deliver power, communications and data from standard conduit with no exposed service fittings. Result: Open office planning flexibility. Ideal for the modern office with workstations that have power, communications and data equipment. Power receptacles and low-voltage connections can be enclosed underfloor in either steel or cast-iron bodies. Galvanized 14-gauge steel boxes are provided with knockouts from 3/4" to 1 1/4" (see engineering data). Cast-iron box has threaded openings for 3/4" and 1" conduit.



Features and benefits

- Two-compartment box is available in three configurations — stamped steel (664-SC), shallow (664-S) and cast iron (664-CI)
- Durable non-metallic covers include a steel reinforcement plate for added strength
- Metallic covers in solid brass, aluminum and aluminum with rugged black Cerakote® finish provide aesthetics and durability
- Cover flange self-levels with finished floor for easy installation



Cat. no.	Description	Std. ctn.
664-CI	Cast-iron box for on-grade applications — accepts two plates, with one duplex 664-RP provided	1
664-SC	Stamped-steel box for above-grade applications — accepts two plates, with one duplex 664-RP provided	4
664-S	Shallow stamped-steel box for above-grade applications — accepts two plates, with one duplex 664-S-RP provided	4

Note: When ordering a 664 series box, the cover must be ordered separately. See following page.

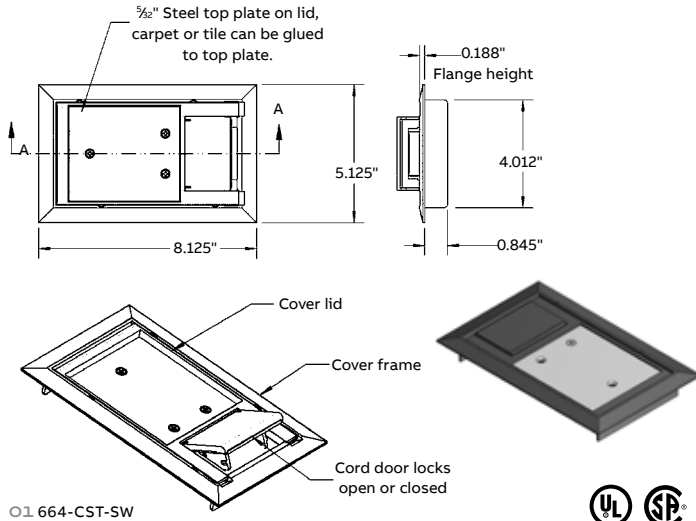
ENGINEERING DATA FOR 664 SERIES

Cat. no.	Dimensions (in.)			Before pour adj. (in.)	After pour adj. (in.)	Maximum capacity (cu. in.)	Conduit Hubs	Conduit KOs		
	A	B	C					Sides	Bottom	Covers
664-CI	3 3/4	5 3/32	9 15/16	2 1/2	3/4	24 per gang, 90 total	(4) 3/4" (4) 1"	—	—	664-CST series
664-SC	3 3/4	4 11/16	10 1/4	2 1/2	3/4	24 per gang, 90 total	—	(4) 1"–1 1/4" (4) 3/4"	None	664-CST series
664-S	2 7/8	4 11/16	10 1/4	1 1/2	3/4	16.5 per gang, 70 total	—	(6) 3/4"	None	664-CST series

CAUTION: When using the center side KOs, cat. no. 664-RP must be assembled to the box prior to installing the conduit.

Non-metallic covers

664 series



01 664-CST-SW



Cat. no.	Description	Load rating (lbs.)	Std. ctn.
664-CST-SW-GRY	Gray cover	1,500	1
664-CST-SW-BRN	Brown cover	1,500	1
664-CST-SW-BGE	Beige cover	1,500	1
664-CST-SW-BLK	Black cover	1,500	1

MopTite® covers meet UL/CSA scrubwater exclusion requirements for carpet, tile and wood.

Metallic covers

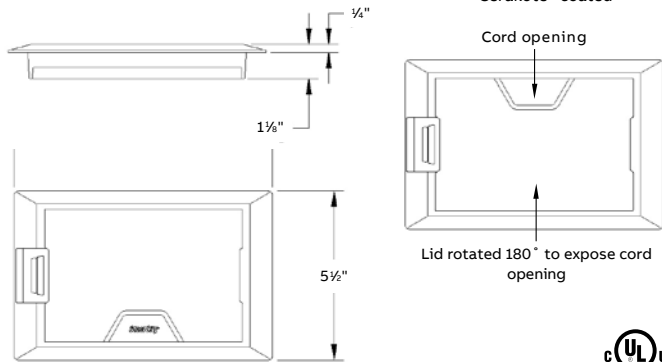
664 series



02 664-CST-M-BRS
Solid brass

03 664-CST-M-ALM
Solid aluminum

04 664-CST-M-BLK-CK
Solid aluminum cover,
Cerakote® coated

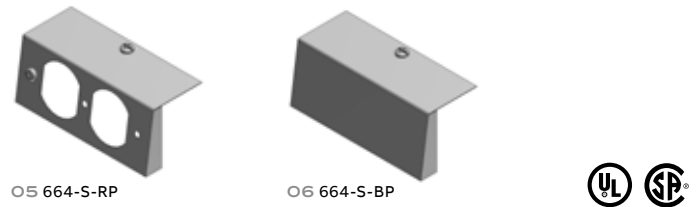


Cat. no.	Description	Load rating (lbs.)	Std. ctn.
664-CST-M-BRS	Solid brass cover	2,250	1
664-CST-M-ALM	Solid aluminum cover	2,250	1
664-CST-M-BLK-CK	Solid aluminum cover with black Cerakote finish	2,250	1

MopTite® covers meet UL/CSA scrubwater exclusion requirements for carpet, tile and wood.

Receptacle plates

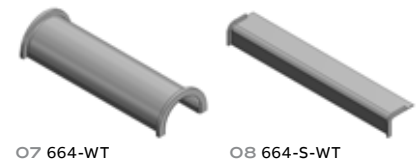
664 series



Cat. no.	Description	Std. ctn.
664-S-RP	Receptacle plate for use with 664-S	4
664-S-BP	Blank plate for use with 664-S	4

Wire tunnel

664 series



- Wire tunnel for protecting electrical connections between the two receptacles when the box is used for power/power application

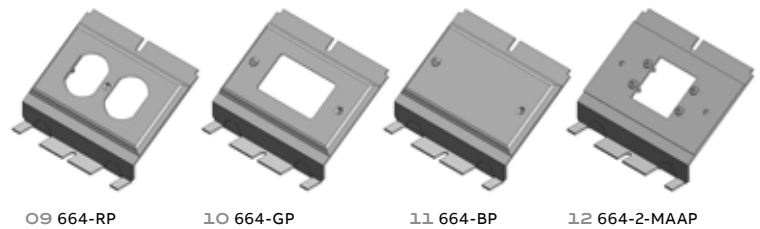


Cat. no.	Description	Std. ctn.
664-WT	For use with 664-SC and 664-CI	4
664-S-WT	For use with 664-S	4

Device plates

664-SC and 664-CI series

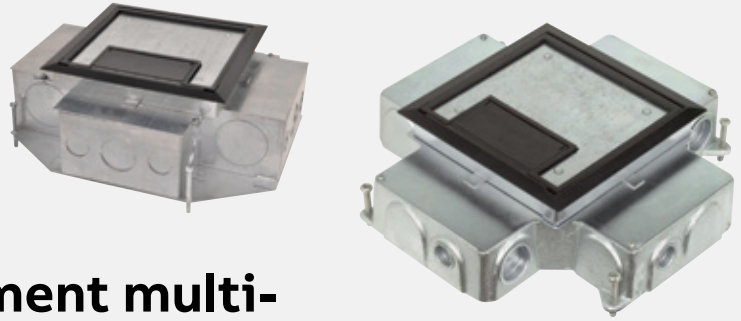
- Receptacle face plate for 664 Series floor box for additional power service
- Does not include receptacle — can be placed at either end of floor box



Cat. no.	Description	Std. ctn.
664-RP	For use with 664 and 664-CI	4
664-BP	Blank plate for use with 664 and 664-CI	4
664-GP	GFCI receptacle plate	4
664-2-MAAP	Device panel, accepts 2 Extron MAAP plates	4

CAUTION: When using the center side KO's, all 664 plates must be assembled to the box prior to installing the conduit.

08



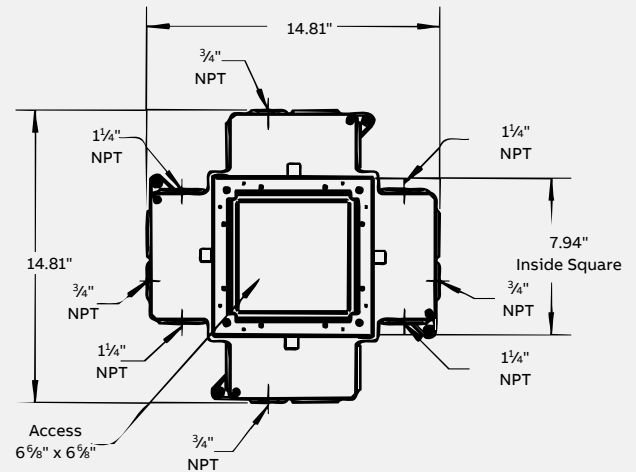
Steel City® four-compartment multi-service floor boxes for on-grade and above-grade applications

665 series

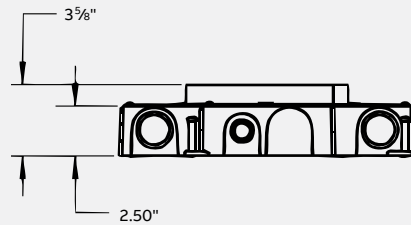
Steel City 665 series recessed service floor boxes provide a high-capacity power and data solution. They offer four compartments with removable voltage dividers between them, enabling a single conduit to feed two or more adjacent compartments. The series encompasses three boxes — the 665-CI cast iron box for slab-on-grade applications, the 665-SC stamped steel box for above-grade applications and the 665-AV2 stamped steel box with 2" conduit knockouts to accommodate pulling of pre-terminated AV cables directly through conduit. The 665-CI and 665-SC boxes offer 126 cu. in. of device access area, while the 665-AV2 offers 124 cu. in.

Features and benefits

- Durable non-metallic covers include a steel reinforcement plate for added strength and a recess for floor covering
- Metallic covers in solid brass, aluminum and aluminum with rugged black Cerakote® finish provide aesthetics and durability
- All 665-CST series MopTite® covers meet UL/CSA scrubwater exclusion requirements for use with carpet, tile and wood
- A unique, non-metallic wire tunnel allows for easy partitioning of power, voice/data and AV
- Device plates and covers are not included with the floor box and must be ordered separately



01 665-CI top view



02 665-CI side view



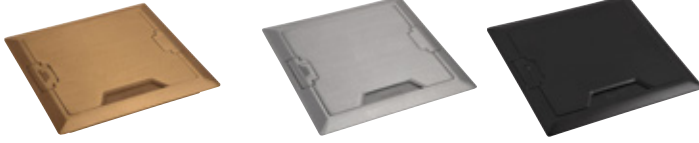
Cat. no.	Description	Std. ctn.
665-CI	Cast iron 4-compartment box for on-grade applications — requires four device plates	1
665-SC	Stamped steel 4-compartment box for above-grade applications — requires four device plates	1
665-AV2	Stamped steel 4-compartment box with 2" KOs for above-grade AV applications — requires four device plates	1

ENGINEERING DATA FOR 665 SERIES

Cat. no.	Before pour adjustment		After pour adjustment		Device compartments		Conduit KOs		Covers
	Length	Width	Height	Volume	Sides	Bottom			
665-CI	2 1/2"	3/4"	(4) 5 3/4"	3 1/2"	2 1/4"	45 cu. in.	(4) 1 1/4" (4) 3/4"	None	665-CST series
665-SC	2 1/2"	3/4"	(4) 5 3/4"	2 3/4"	2 1/2"	40 cu. in.	(6) 1 1/4" (4) 3/4"	(4) 1 1/4" (4) 3/4"	665-CST series
665-AV2	2 1/2"	3/4"	(2) 5 3/4" (2) 5 3/4"	3 3/4" 2 3/4"	3 3/8" 3 3/8"	72 cu. in. 58 cu. in.	(4) 2" (8) 1 1/4" (8) 3/4"	(2) 2" (2) 1 1/4" (4) 3/4"	665-CST series

Metallic covers

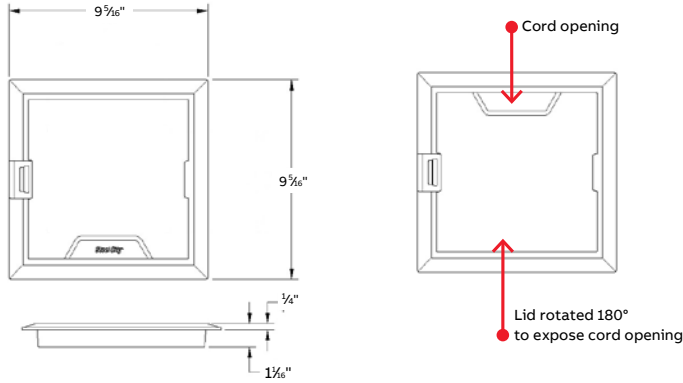
665 series



03 665-CST-M-BRS
Solid brass

04 665-CST-M-ALM
Solid aluminum

05 665-CST-M-BLK-CK
Solid aluminum, black
Cerakote coated

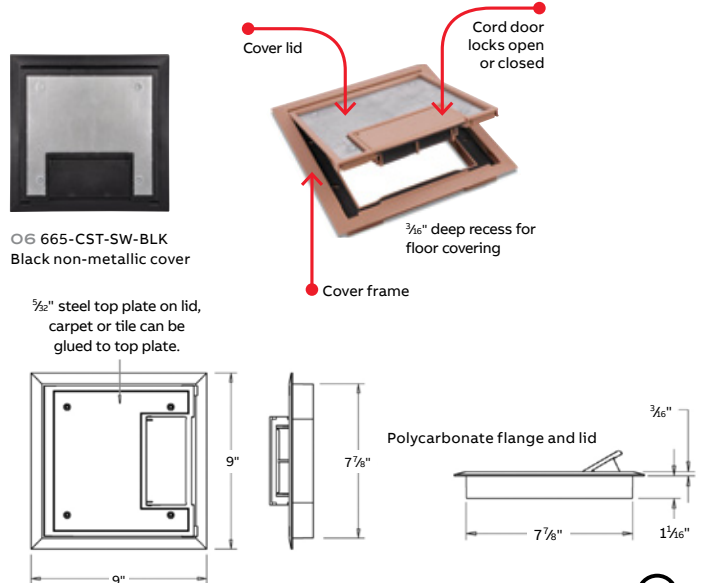


Cat. no.	Description	Load rating (lbs.)	Std. ctn.
665-CST-M-BRS	Solid brass cover	1,500	1
665-CST-M-ALM	Solid aluminum cover	1,500	1
665-CST-M-BLK-CK	Solid aluminum cover with black Cerakote® coating	1,500	1

Cerakote is a trademark of NIC Industries, Inc.

Non-metallic covers

665 series



06 665-CST-SW-BLK
Black non-metallic cover

5/32" steel top plate on lid, carpet or tile can be glued to top plate.

Polycarbonate flange and lid



Cat. no.	Description	Load rating (lbs.)	Std. ctn.
665-CST-SW-BLK	Non-metallic cover, black	750	1
665-CST-SW-GRY	Non-metallic cover, gray	750	1
665-CST-SW-BGE	Non-metallic cover, beige	750	1
665-CST-SW-BRN	Non-metallic cover, brown	750	1

Furnished with (4) #8-32 x 3/8" mounting screws.
Contact ABB Technical Service for color chip samples.

Accessories

665 series



07 665-RP
Duplex plate

08 665-GP
GFCI plate

09 665-BP
Blank plate

10 665-6RJ
Data plate for 6 keystone
jacks

11 665-WT
Wire tunnel feeds multiple compartments from a single conduit (one included with each 665-AV2 and 665-SC)



Cat. no.	Description	Std. ctn.
665-RP	Duplex plate for 665 series floor boxes	4
665-GP	GFCI plate for 665 series floor boxes	4
665-BP	Blank plate for 665 series floor boxes	4
665-6RJ	Data plate for 665 series floor boxes, accepts 6 keystone jacks	4
665-STEL	Telephone data plate for 665 series floor boxes	4
665-WT	Replacement wire tunnel for 665 series floor boxes	4

Each box requires (4) device plates. Material: Pre-galvanized steel.

09

Steel City® recessed poke-through boxes

RPT6 series



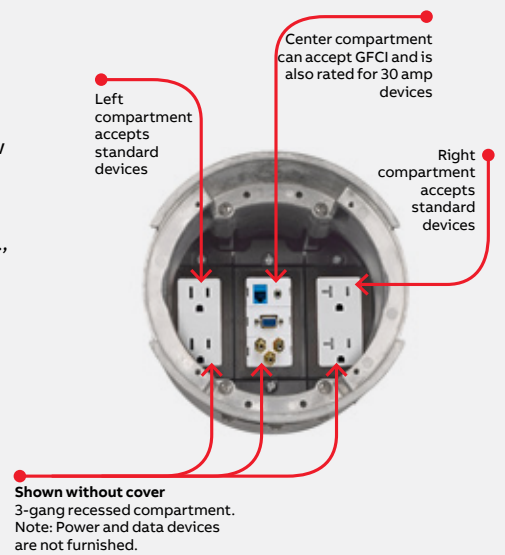
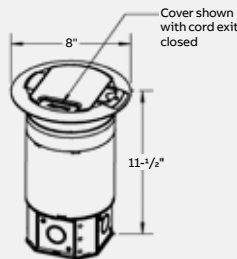
Given the limitations on the number of holes that can be drilled in a floor, it is important to maximize the capacity of each location.

The RPT6 series offers a configurable solution that provides high capacity for both power wiring and communications cabling in a single-core drill location.

Features and benefits

- Greater capacity than typical 3 in. and 4 in. core poke-throughs
- Core drill size: 6 in.
- Solid brass, black and brushed aluminum finishes provide superior aesthetics and durability
- Toolless cover entry— cover rotates 180° to while-in-use position and features no hinges, which can fail mechanically

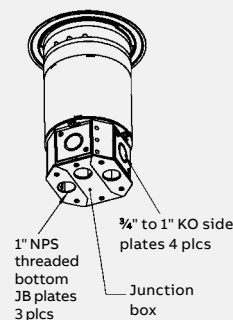
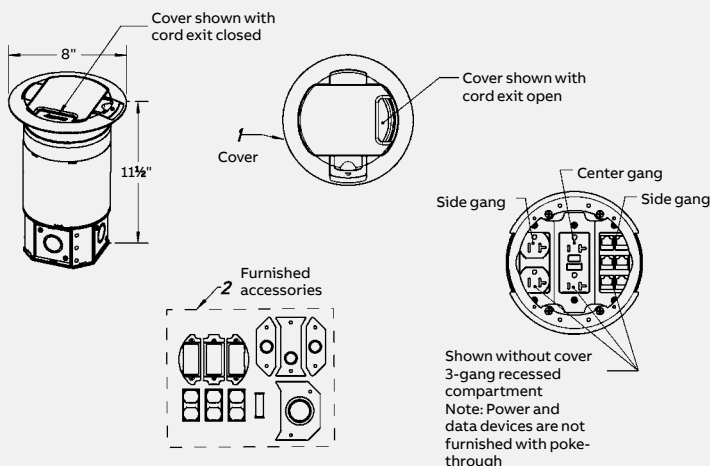
- Customer can use off-the-shelf wiring devices
- Center compartment can accept GFCIs and is also rated for 30 amp devices
- Recessed service conceals devices below floor level
- Configurable compartment bottom junction box includes a cover with 1¹/₄ in., 1¹/₂ in. or 2 in. knockouts
- UL 263 — 2-hour fire test



RPT6 SERIES — RECESSED POKE-THROUGH



Cat. no.	Description	Std. ctn.
RPT6-3G-BRS	RPT6 series poke-through assembly: Base unit with solid brass cover	1
RPT6-3G-BLK-CK	RPT6 series poke-through assembly: Base unit with black Cerakote® coated aluminum cover	1
RPT6-3G-ALM	RPT6 series poke-through assembly: Base unit with brushed aluminum cover	1



- Catalog numbers:
RPT6-3G-BRS, RPT6-3G-ALM, RPT6-3G-BLK-CK
- Complete 3-gang fire-rated recessed poke-through assembly for use in 6" to 6 1/2" core drill hole, complete with:
- 1) Cover
 - 2) Furnished accessories (does not include devices)
 - 3) Junction box
- 1) All metal recessed-style cover with wire/cable exit in lid. Available in solid brass-brush finish. Solid aluminum-brush finish or aluminum with black Cerakote finish. Replacement cover RPT6-CVR-xxx available; see drawing WSD-001533.
- 2) Furnished accessories: Center and side device plates, duplex inserts, power tunnel for JB, bottom JB plates with 1/2 to 3/4 KOs, 2-gang bottom JB plate with 1 1/4 thru-hole and 2" KO.
- 3) Junction box (JB) that can be configured for power, data or dual service (power and data). Assembled with 3/4" to 1" KO side plates and 1" NPS threaded bottom plates.

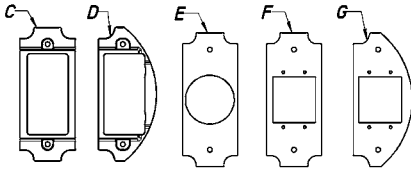


RPT6 SERIES RECESSED POKE-THROUGH COVERS



Cat. no.	Description	Std. ctn.
RPT6-CVR-BRS	Solid brass cover	1
RPT6-CVR-BLK-CK	Black Cerakote® coated aluminum cover	1
RPT6-CVR-ALM	Brushed aluminum cover	1

Moptite® covers meet UL/CSA scrub-water exclusion requirements for carpet, tile and wood.
Cerakote is a trademark of NIC Industries, Inc.

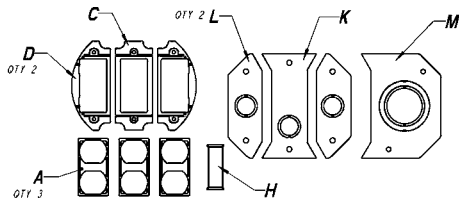


RPT6 SERIES OPTIONAL ACCESSORIES



Cat. no.	Description	Image key	Std. ctn.
RPT6-DPC-GFCI	Center plate for GFCI, duplex or rectangular device	C	1
RPT6-DPC-R	Center plate for 1 $\frac{1}{16}$ " diameter power receptacle device	E	1
RPT6-DPC-2MAAP*	Center plate for 2 Extron® MAAP device	F	1
RPT6-DPS-DEC	Side plate for duplex or rectangular device	D	1
RPT6-DPS-2MAAP*	Side plate for 2 Extron® MAAP device	G	1
RPT6-JB-CVR-2G	Junction box cover 2-gang with 1 $\frac{1}{2}$ " KO	-	1
RPT6-JB-CVR-3G	Junction box cover 3-gang with 2" KO	-	1

* cULus not applicable



RPT6 series furnished accessories

The RPT6 series poke-through system is designed to provide a solution for most requirements. The following accessories are furnished as part of the RPT6-3G-XXX poke-through assembly. Items with a catalog number in the description are also available to be purchased separately.

FURNISHED ACCESSORIES

Description	Image key	Qty. in kit
Duplex insert (catalog no. 68-HP-DI)	A	3
Center plate for GFCI (catalog no. RPT6-DPC-GFCI)	C	1
Side plate for duplex or rectangular device (catalog no. RPT6-DPS-DEC)	D	2
Wiring tunnel (catalog no. 664-WT)	H	1
Cover, junction box bottom side gang with $\frac{3}{4}$ " KO	K	2
Cover, junction box bottom center gang with $\frac{3}{4}$ " KO	L	1
Cover, junction box bottom two-gang with 1 $\frac{1}{2}$ " thru-hole and 2" KO	M	1